

Thank you for purchasing a Sealey product. Manufactured to a high standard this product will, if used according to these instructions and properly maintained, give you years of trouble free performance.



IMPORTANT: PLEASE READ THESE INSTRUCTIONS CAREFULLY. NOTE THE SAFE OPERATIONAL REQUIREMENTS, WARNINGS AND CAUTIONS. USE THIS PRODUCT CORRECTLY AND WITH CARE FOR THE PURPOSE FOR WHICH IT IS INTENDED. FAILURE TO DO SO MAY CAUSE DAMAGE AND/OR PERSONAL INJURY AND WILL INVALIDATE THE WARRANTY. PLEASE KEEP INSTRUCTIONS SAFE FOR FUTURE USE.

Table of Contents

1. Safety Instructions	2
1.1. Work Area Safety	2
1.2. Electrical Safety	2
1.3. Personal Safety	2
1.4. Battery Safety	2
1.5. Operating Safety	3
2. Description, Specifications and Tool Components	4
2.1. Description	4
2.2. Specifications	4
2.3. Accessories Included	5
2.4. Tool Components and Ports	5
2.5. Buttons and Controls	6
3. Installation and Connection	7
3.1. Battery Removal and Installation	7
3.2. Imager Head and Cable Installation	8
3.3. Accessories Installation	8
3.4. Micro SD Card Installation	9
3.5. USB Cable Connection	9
3.6. Video-out Cable Connection	10
4. Operation	10
4.1. Basic Operation	10
4.2. Pre-Use Inspection	11
4.3. Tool and Work Area Preparation	11
4.4. Maintenance	12
4.5. On Screen Navigation	12
4.6. Icons	19
4.7. Software Updates	19
5. Troubleshooting	20
Declaration of Conformity	21

1. SAFETY INSTRUCTIONS

IMPORTANT: Failure to understand and follow the instructions listed below may result in electric shock, fire and/or serious personal injury.

1.1. Work Area Safety

- 1.1.1. Always perform automotive testing in a safe environment.
- 1.1.2. Ensure that work area is clean and well lit.
- 1.1.3. Keep clothing, hair, hands, tools, test equipment, etc. away from all moving or hot engine parts.
- 1.1.4. Operate the tool in a well-ventilated work area.
- 1.1.5. **DO NOT** operate the tool in explosive atmospheres.
- 1.1.6. Ensure that a suitable fire extinguisher is available.
- 1.1.7. **DO NOT** use the tool around corrosive chemicals which can damage the tool.
- 1.1.8. Keep unauthorised personnel and children clear of the work area whilst operating the tool.
- 1.1.9. Keep the tool dry, clean, free from oil, water and grease. Use a mild detergent on a clean cloth to clean the outside of the tool when necessary

1.2. Electrical Safety

- 1.2.1. Avoid body contact with earthed or grounded surfaces such as pipes, radiators, ranges and refrigerators.
- 1.2.2. **DO NOT** expose the tool to rain or wet conditions. Water entering the tool will increase the risk of electric shock.
- 1.2.3. **DO NOT** abuse the cable. Never use the cable for carrying, pulling, or unplugging the tool. Keep cable away from heat, oil, sharp edges or moving parts.

1.3. Personal Safety

- 1.3.1. **DO NOT** use the tool while tired or under the influence of drugs, alcohol, or intoxicating medication.
- 1.3.2. **DO NOT** over-reach. Maintain proper footing and balance at all times.
- 1.3.3. **DO NOT** place the tool on any unstable surface. The tool may fall, causing injury to a person or damage to the tool.
- 1.3.4. Never spill liquid on the display unit.
- 1.3.5. **DO NOT** use the tool for personal or medical use in any way.
- 1.3.6. The product is not shock resistant. **DO NOT** use it as a hammer or drop it.

1.4. Battery Safety

- 1.4.1. Remove the battery while cleaning the tool.
- 1.4.2. Remove the battery before storing the tool for a long period of time to prevent battery leakage from damaging battery compartment.
- 1.4.3. When necessary, replace all four (4) batteries with new ones.
- 1.4.4. Use only the size and type of batteries specified.
- 1.4.5. Be sure to install the batteries with the correct polarity as indicated in the battery compartment.
- 1.4.6. Dispose of batteries according to local authority guidelines. **DO NOT** dispose of batteries in fire.

1.5. Operating Safety

- 1.5.1. Use the tool only as directed. **DO NOT** operate the tool unless the instruction manual has been read thoroughly.
- 1.5.2. The display unit is not waterproof. The imager head and cable are waterproof, but not acidproof or fireproof. Avoid submersing the imager head and cable into corrosive, oily places and be sure to keep the imager head and cable away from high temperature objects.
- 1.5.3. **DO NOT** immerse the display unit in water.
- 1.5.4. **DO NOT** use excessive force to insert or withdraw the imager head and cable. This may result in damage to the tool or inspection area.
- 1.5.5. **DO NOT** use the imager head and cable to modify surroundings, clear pathways or clogged areas.
- 1.5.6. **DO NOT** place the imager head and cable into anything or anywhere that may contain a live electric charge or moving parts.
- 1.5.7. **DO NOT** use the tool for personal inspection or medical use in any way. This is **NOT** a medical tool.
- 1.5.8. **DO NOT** eat or smoke while operating the tool. Use hot, soapy water to wash hands and other body parts exposed to drain contents after using the tool to inspect drains and other areas that may contain chemicals or bacteria.
- 1.5.9. When the inspection is completed, carefully withdraw the imager head and cable from inspection area.
- 1.5.10. Store components and accessories out of the reach of children and other untrained persons.
- 1.5.11. Maintain the tool with care. Properly maintained tools are less likely to cause injury.
- 1.5.12. **DO NOT** drop the tool. If the tool is accidentally dropped, check for damage.
- 1.5.13. Always wear appropriate personal protective equipment whilst handling and using the tool. A full range of PPE is available from your Sealey dealer.
- 1.5.14. Protect against excessive heat. The tool should be kept away from heat sources. **DO NOT** use the tool near moving machinery or in areas where the temperature will exceed 113°F (45°C).
- 1.5.15. After use, store the tool in a safe, dry, childproof area.

2. DESCRIPTION / SPECIFICATION

2.1. Description

Ideal for the professional tradesman and technician. High performance pistol grip borescope with 60mm colour TFT screen. Ø8.5mm Digital output camera module ensures low-loss transmission of images to the handset and gives great image quality and excellent colour balance and contrast. Record and replay still and video images on the handset or stream live video via the USB/AV connection. 128Mb Integral memory allows the storage of up to 80 images or 90 seconds of video on the handset - use a Micro SD card (not included) in the expansion slot to increase your storage capacity if required. Features digital zoom control and rotate/flip control of the image - ideal for use in a tight spot or with a mirror. Supplied with an AV-out cable and USB cable to allow connection to a PC to capture, store and share images and video. Kit includes a 45° mirror, hook, magnetic pick-up attachment. Powered by 4 x AA batteries.

2.2. Specification

Recommended Use	Indoor
Optimal Viewing Distance	1" to 14" (2.5cm to 35.6cm) with 8.5mm diameter imager head
Image Capture	JPEG images (640 x 480) AVI videos (320 x 240)
Screen Type Display	2.4" TFT LCD
Display Resolution	320 x 240
Power Supply	4 x AA alkaline battery(1.5V)
Tested Battery Life	3-4 hours of continuous use
Dimensions	184 x 162.5 x 78mm (7.24" x 6.39" x 3.07")
Weight	0.333kg(0.66lbs)
Recording Medium	Micro SD card (Micro SD card is optional and not included)
Image Controls	Zoom, low light vision
Lighting	Fully adjustable LED
Cable Reach	1m (3') -- expandable to 6m (19') w/optional extensions
Imager Head	8.5mm (0.33")
Waterproof	Imager head and cable to 3m (10')

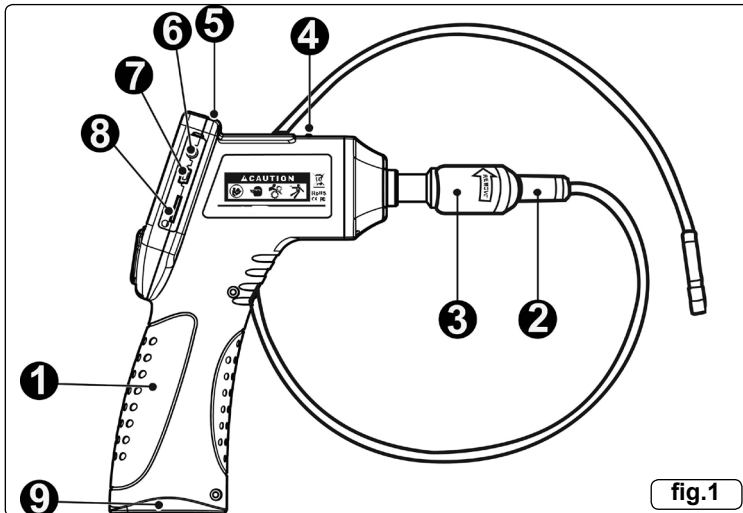
Additional Ports	USB, video out (TV-out) port
Operating Temp.	Main unit: 32°F to 113°F (0°C to 45°C); Cable: 14°F to 176°F (-10°C to 80°C)
Storage Temp.	-4°F to 158°F (-20°C to 70°C)
Operating Humidity	5% - 95% non-condensing (display unit)
Video Output	RCA
TV Out	NTSC, PAL

2.3. Accessories Included

- Blow Moulded Case
- Instruction Manual
- Imager Head and Cable
- Magnet, Hook and Mirror
- USB Cable
- Video-out Cable (TV-out Cable)

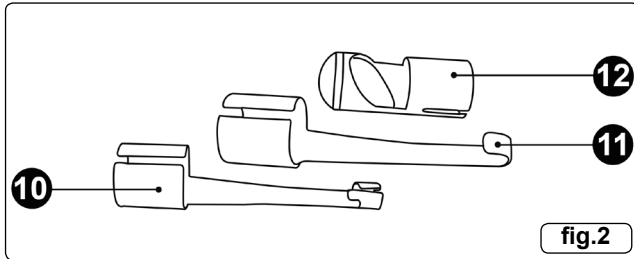
2.4. Tool Components and Ports

Note: Due to continual improvements, actual product may differ slightly in appearance from the illustration in fig.1.



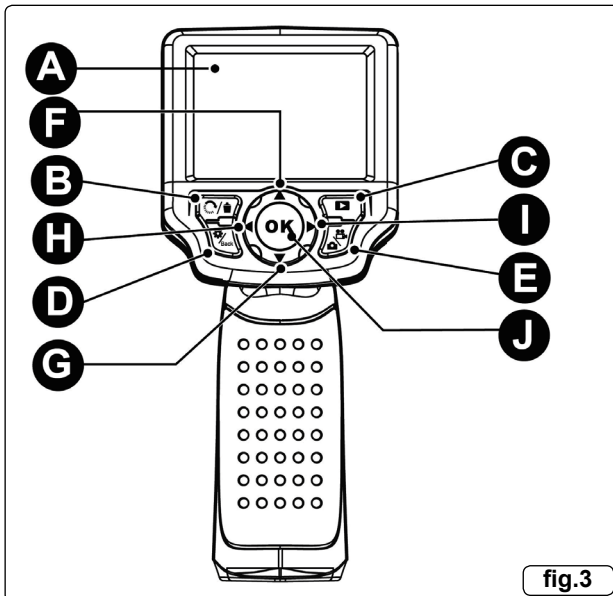
- 1) **Handheld Display Unit** – Ergonomic tool with comfortable pistol grip design.
- 2) **Imager Head and Cable** – Connects to the tool to capture images and videos.
- 3) **Cable Connector** – Connects the handheld display unit to the imager head and cable.

- 4) **Power Indicator Light** –Illuminates green once the tool is switched on.
- 5) **Power Button** – Turns on/off the tool.
- 6) **Video-out Port** – Connects the tool to a TV using the supplied video-out cable to view the real-time image.
- 7) **Mini USB Port** – Connects the tool to a computer using the supplied USB cable to exchange information.
- 8) **Micro SD card Slot** – Holds the Micro SD card.
- 9) **Battery Compartment Cap**- Retains and protects the battery compartment.



- 10) **Accessory Magnet** – Picks up small metal objects.
- 11) **Accessory Hook** – Unclogs obstacles and picks up wires in confined areas.
- 12) **Accessory Mirror** – Helps users look around corners and view unreachable areas.

2.5. Buttons and Controls (fig.3)

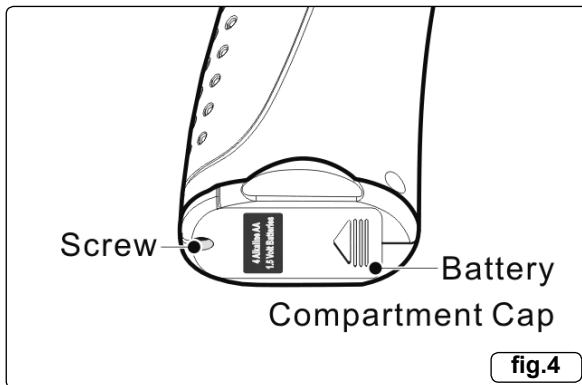


- A. **LCD Screen** – Displays still images and videos.
- B. **Delete/Reverse Button** – Deletes captured photos and videos in play mode. While capturing a photo or video, press Reverse Button to control the direction of the real-time image and video in the live screen. The real-time image and video will perform a horizontal reverse or a vertical reverse.
- C. **Play Button** – Replays captured photos and videos.
- D. **Setting/Back Button** – Moves to the primary settings screen, whilst pressing again will return to the last viewed screen.
- E. **Camera/Video Button** – Switches between two modes: camera or video.
- F. **UP Arrow Zoom Adjusting Button** – Uses Up arrow button to zoom in whilst in the camera mode. Moves up through menu and submenu items in menu mode.
- G. **DOWN Arrow Zoom Adjusting Button** – Uses Down arrow button to zoom out whilst in the camera mode. Moves down through menu and submenu items in menu mode.
- H. **LEFT Arrow LED Lighting Adjusting Button** – Uses Left arrow button to decrease LED brightness in the camera mode. Moves the cursor to the desired item. Moves to the previous image or video in the play mode.
- I. **RIGHT Arrow LED Lighting Adjusting Button** – Uses Right arrow button to increase LED brightness in the camera mode. Moves the cursor to the desired item. Moves to the next image or video in play mode.
- J. **OK Button** – Confirms a selection (or action) from a menu. Starts recording image or video in live mode. Starts or suspends file reviewing in play mode.

3. INSTALLATION AND CONNECTION

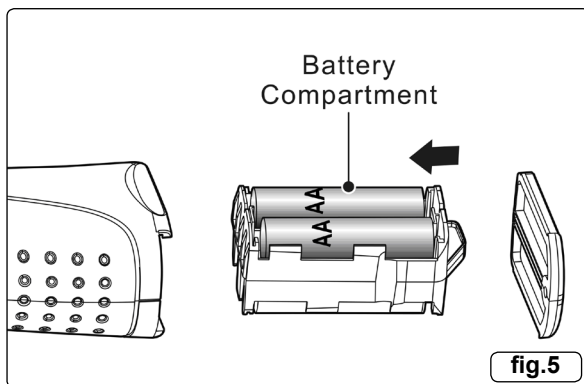
3.1. Battery Removal and Installation

Note: If the power indicator light is flashing continuously, the batteries will require replacement.



3.1.1. Turn the display unit handle upside down to expose the battery compartment cap and screw. (fig.4)

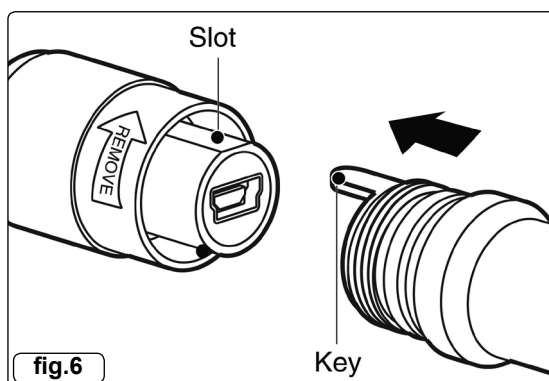
3.1.2. Use a screwdriver to remove screw and slide off the battery compartment cap.



- 3.1.3. Remove the battery compartment (fig.5) and remove the batteries.
Note: Dispose of used batteries in accordance with local regulations.
- 3.1.4. Install the new batteries ensuring that the correct polarity is observed.
Note: When replacing the batteries, replace all four at once.
- 3.1.5. Refit the battery compartment into the handle. Slide on the battery compartment cap and secure with the screw.

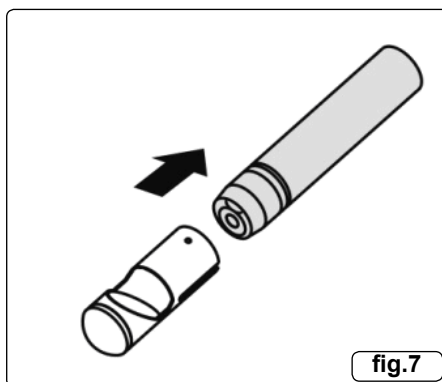
3.2. Imager Head and Cable Installation

- 3.2.1. To use the tool, the imager head and cable must be connected to the display unit. To connect the cable to the display unit, make sure the key and slot (fig.6) are properly aligned. Once they are aligned, finger-tighten the knurled knob to hold the connection firmly in place.

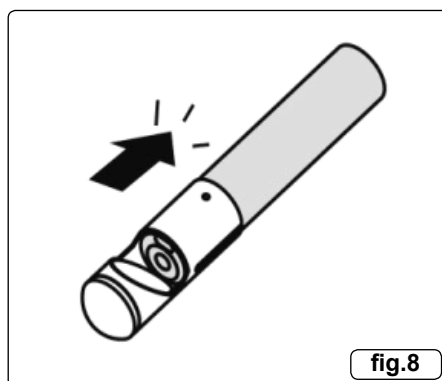


3.3. Accessories Installation

- 3.3.1. The three accessories include magnet, hook and mirror (fig.2). All are attached to the imager head in the same manner. Hold the accessory and the imager head as shown in fig.7.



- 3.3.2. Slide the end of the accessory over the tip of the imager head to fix the accessory as shown in fig.8.



3.4. Micro SD Card Installation

Note: Micro SD card slot provides capacity for optional additional memory, Micro SD card is not included. The maximum capacity Micro SD card supported by this equipment is 16GB.

- 3.4.1. To insert a Micro SD card into the Micro SD card slot, make sure the contacts are facing towards slot and the angled portion of the card is facing down. When the Micro SD card is installed, a small Micro SD card icon will appear at the top right portion of the screen.
- 3.4.2. To remove a Micro SD card, gently push the Micro SD card inward and then release to eject it from the card slot.

3.5. USB Cable Connection

- 3.5.1. Use the supplied USB cable to connect the tool to a PC to upload and view captured photos and videos. A "USB Connected" message will appear on the screen as shown (fig.9).



3.6. Video-Out (TV-Out) Cable Connection

- 3.6.1. Insert the video-out cable into the video-out port of the tool and the other end of the cable into the video-in port of a TV, the LCD screen will output a high quality real-time image.

4. OPERATION

4.1. Basic Operation

Note: When in operation, the cable can be bent into certain shapes. This will help you operate the cable into confined areas.

- 4.1.1. Hold the tool with LCD screen facing you and press Power button to turn it on. Wait for two seconds, the first screen – a splash screen during booting up, and then the live screen where you can do most of your work.
- 4.1.2. Press OK button to capture photos in the camera mode; press OK button to begin capturing videos in the video mode. Press Camera/Video button to switch between the two modes as desired.
- 4.1.3. Press UP and DOWN arrow buttons to zoom in or out while in the camera mode.
- 4.1.4. Press LEFT and RIGHT arrow buttons to decrease or increase screen backlighting while in the camera mode.
- 4.1.5. Press Play button to view captured photos and videos.
- 4.1.6. Press Delete/ Reverse button to delete captured photos and videos as required when playing back captured photos and videos.
- 4.1.7. Press Delete/ Reverse button to control the direction of the real-time image and video as required in the live screen.
- 4.1.8. Press Setting/Back button to enter Setup mode or return to the previous screen.
- 4.1.9. Use the supplied accessories to provide application flexibility.
- 4.1.10. Use the supplied USB cable to connect the tool to a PC to upload and view captured photos and videos.
- 4.1.11. Connect the supplied video-out (TV-out) cable to video-out port of the tool and the other end of the cable to the video-in port of a TV to view a high quality real-time image.

4.2. Pre-Use Inspection

WARNING: Before using, inspect the tool and rectify any faults to reduce the risk of serious injury from electric shock.

- 4.2.1 Make sure the power is OFF.
- 4.2.2 Clean any oil, grease or dirt from the tool, especially on the buttons and ports.
- 4.2.3 Inspect the imager head lens for condensation. To avoid damaging the tool, **DO NOT** use the tool if condensation forms inside the imager head. Let the water evaporate before using again.
- 4.2.4 Inspect the full length of the cable for cracks or damage. A damaged cable could allow water to enter the tool and increase the risk of electric shock.
- 4.2.5 Make sure the connections between the display unit and imager head and cable are tight. All connections must be properly assembled for the cable to be waterproof.
- 4.2.6 Check if the warning label is present, firmly attached and readable. **DO NOT** operate the tool without the caution label.
- 4.2.7 If the tool does not operate after being turned on, please have the tool checked by a qualified technician.

Note: Please observe following precautions to avoid injury:

FOR WALLS: For inspecting the inside of walls, ensure that the building electrical supply is isolated before using the tool.

FOR PIPES: If you suspect a metal pipe could carry an electric charge, have a qualified electrician check the pipe before using.

FOR VEHICLES: Be sure the vehicle is not running during inspection. Metal and fluid in the engine bay may be hot. **DO NOT** get oil or fuel on the imager head.

4.3. Tool and Work Area Preparation.

WARNING: Set up the tool and work area according to these instructions to reduce the risk of injury from electric shock, entanglement, and other hazards and prevent tool damage.

- 4.3.1 Ensure that there is adequate lighting.
- 4.3.2 **DO NOT** work in an area where there are flammable gases and liquids present.
- 4.3.3 **DO NOT** use the tool whilst standing in water.
- 4.3.4 Check the area and determine that the ProScope1 VS8220 is the most suitable tool for the job.
- 4.3.5 Check for safe access and exit points to and from the work area.
- 4.3.6 Check that any electrical power supplied to the work area is safe.
- 4.3.7 Check if any contact with liquids will occur during the inspection. The Image head and cable are waterproof to a depth of 3m (10'), Greater depths may cause leakage into the imager head and cable and cause electric shock or damage the tool. The display unit is not waterproof and should not be exposed to wet conditions.
- 4.3.8 Check for hazardous chemicals, especially in the case of drains. Certain chemicals may damage the tool.
- 4.3.9 Check the temperature of the work area. The working temperature of the tool is between 32°F (0°C) and 113°F (45°C).
- 4.3.10 Check if any moving parts are likely to be experienced in the work area.

- 4.3.11. Ensure that the tool has been properly inspected and is serviceable.
- 4.3.12. Attach the correct accessories for the appropriate application.

4.4. Maintenance

WARNING: Ensure the power switch is OFF before performing any maintenance.

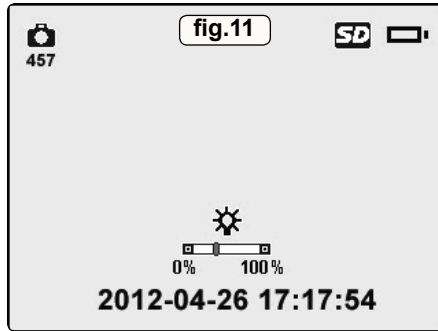
- 4.4.1. Tool maintenance must be performed only by qualified repair personnel.
- 4.4.2. Use approved parts only. Unapproved parts will invalidate the warranty.
- 4.4.3. Follow instructions to change accessories.
- 4.4.4. **DO NOT** use acetone to clean the tool, use only alcohol to swab the connections. Avoid rubbing too hard on the LCD screen. After use, wipe the display unit clean, gently with a dry cloth.
- 4.4.5. Handle the tool with care. It is not shock-resistant.
- 4.4.6 **DO NOT** disassemble the tool.

4.5. On Screen Navigation

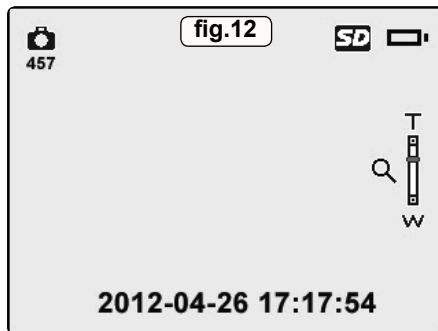
- 4.5.1. Splash Screen. When the tool is powered on, the first screen displayed is referred to as the splash screen (fig.10). This screen tells you the tool is booting up. Once the tool is fully powered up, the screen will automatically switch to the live screen.



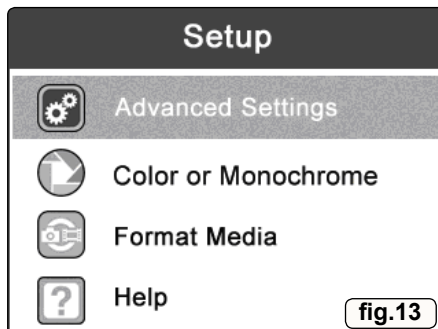
- 4.5.2. **Live Screen.** The live screen is where you will do most of your work. A live image of what the imager head sees is displayed on the screen. You can zoom, adjust screen backlighting, rotate images and videos, view and capture photos and videos from this screen.
- 4.5.3. **Switching from Still Image Capture to Video Capture.** By default the tool will turn to still image capture when switched on. Press Video/Camera button to switch between still image capture and video capture as required.
- 4.5.4. **Adjusting screen backlighting.** Pressing RIGHT and LEFT arrow buttons on the key pad (in the still camera mode) will increase or decrease the screen backlighting. A brightness indicator bar will be displayed on the screen as you adjust brightness (fig.11).



- 4.5.5. **Zooming.** Simply press UP and DOWN arrow buttons while in the still camera mode to zoom in or out. A zoom indicator bar will be displayed on the screen as you adjust zoom (fig.12).



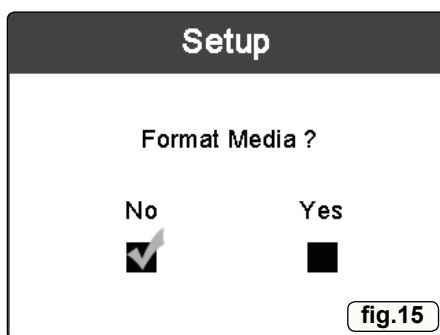
- 4.5.6. **Entering the Primary Settings Screen.** Pressing Setting button while in the live screen will take you to the primary settings screen (fig.13). Pressing BACK button at any point will take you back to the live screen.



- 4.5.7. **Color or Monochrome.** In the Setup screen, select Color or Monochrome and press OK button, then the Color or Monochrome setting screen will appear. (fig.14). Use the LEFT/RIGHT button to move to the desired option, then press OK button to save configuration and exit, or press BACK button to exit without saving changes.
✓ Color is the default mode.



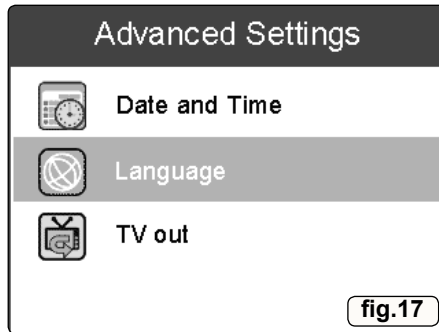
- 4.5.8. **Format Media.** In the Setup screen, select Format Media and press OK button, then the Format Media setting screen will appear (fig15). If you want to format the media (in most cases, the Micro SD card), use the LEFT/RIGHT button to select Yes, then press OK button to begin formatting. When formatting has finished, it will take you back to the primary settings screen. If you do not wish to format media, use the LEFT/RIGHT button to select No, then press OK button to return to previous menu, or press BACK button to exit.
Note: Before performing the formatting, make sure you have reviewed the recorded files thoroughly.



- 4.5.9. **Help.** This function provides the firmware version information. In the Setup screen, select Help and press OK button, then the firmware version screen will appear (fig.16).



4.5.10. **Entering the Secondary Settings Screen.** While in the Primary Settings Screen (fig.13), select Advanced Settings from Setup and then press OK button, you will enter the secondary settings screen (fig.17) where you can set Date and Time, Language and TV-out as needed. Pressing BACK button at any point will bring you back to the primary settings screen and pressing it again will bring you back to the live screen.



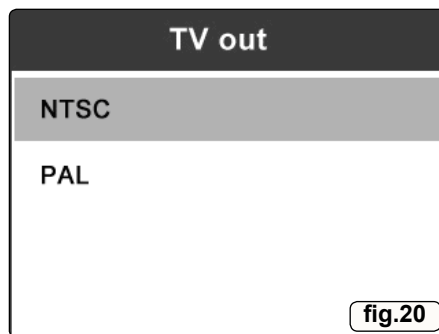
4.5.11. **Date and Time.** In the Advanced Settings screen, select Date and Time and press OK button, then the Date and Time setting screen will appear (fig.18). Use the LEFT/RIGHT button to move to the desired dialog box, then use the UP/DOWN button to increase or decrease the number. When finished, press OK button to save configuration and exit, or press BACK button to exit without saving changes.



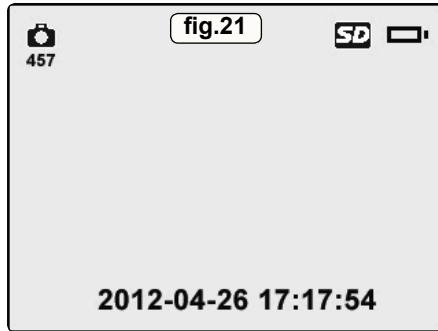
- 4.5.12. **Language.** In the Advanced Settings screen, select Language and press OK button, then the Language setting screen will appear (fig.19). Use the UP/DOWN button to move to the desired language, then press OK button to save configuration and exit, or press BACK button to exit without saving changes.
✓ English is the default language.



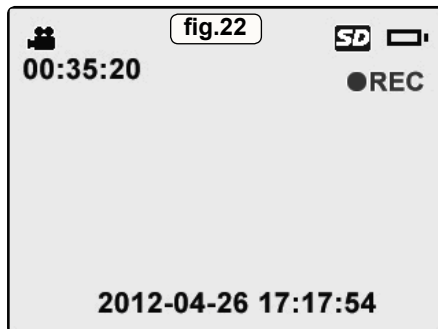
- 4.5.13. **TV-out.** In the Advanced Settings screen, select TV out and press OK button, then the TV output setting screen will appear (fig.20). Use the UP/DOWN button to select the desired setting, then press OK button to save configuration and exit, or press BACK button to exit without saving changes.
✓ NTSC is the default standard.



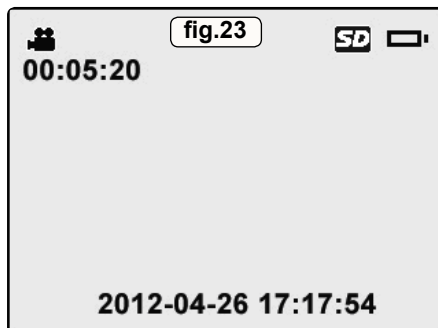
- 4.5.14. **Capturing a Photo.** When in the live screen, make sure the camera icon is present at the top left portion of the screen (fig.21). Press OK button to capture a photo and simultaneously the photo has been saved to internal memory or the Micro SD card if available.
Note: Figure at the top left under the camera icon indicates how many photos you can save in the space left.



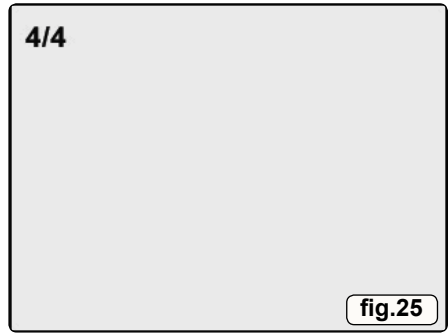
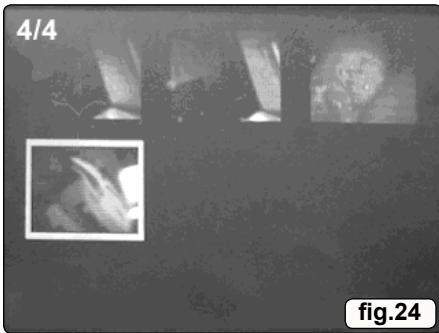
4.5.15. **Capturing a Video.** While in the live screen, make sure the video icon is present at the top left portion of the screen. Press OK button to start capturing video (fig.22). You will notice that a red REC icon appears at the top right portion of the screen, just below battery capacity icon. This shows that video is capturing. The time at the top left portion, just below video icon, will begin counting. This indicates how long the video has been captured. Press OK button again to stop capturing a video. It may take a few seconds to save the captured video to internal memory. The tool can capture a video for approximately 80 seconds without a Micro SD card.



Note: before capturing a video, the figure at the top left under the video icon indicates how long a section of video you can save in the space left (fig.23).



4.5.16. **Playing Back and Deleting Captured Photos and Videos.** Press PLAY button, the captured photo and video files will display on the screen (fig.24). Photos and videos captured will be saved as separate files based on different format. While viewing these photos and videos, press OK button to select, and then the screen will display as below (fig.25). The digit on the top left portion of the screen shows sequence number of the playing file and total number of files in the folder. Use the LEFT button to play the previous file, the RIGHT button to the next file. Or, use the UP button to play the file on the previous line, the DOWN button to the file on the next line. While selecting a video to play, press OK button to start, suspend or resume the process. Pressing BACK button will stop playing and exit.



4.5.17. **Deleting Photos/Video.** While reviewing a photo or video, press Delete/ Reverse button to delete the recorded files, and the screen will display as below (fig.26). Select Yes to confirm your selection and press OK button to delete the file, or select No to cancel the command and press OK button to exit. When you delete all the photos or videos, a “No Files Available” message appears on the screen (fig.27).
Note: Files or videos can only be deleted one at a time.



4.6. Icons

4.6.1. **Battery Capacity** – Fully charged battery.



4.6.2. **Micro SD card** – Indicates a Micro SD card has been inserted into the tool.



4.6.3. **Still Camera** – Indicates the tool is operating in still camera mode.



4.6.4. **Video Camera** – Indicates the tool is operating in video camera mode.



4.7. Software Updates

Note: The tool supports software updates when there are new developments with software or systems. Free updated files are available for the tool.

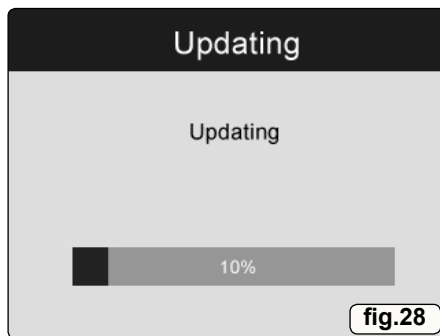
4.7.1. Format your Micro SD card to FAT file format on a computer.

4.7.2. Visit our website www.sealey.co.uk and download software update file to your Micro SD card.

4.7.3. Insert your Micro SD card into the Micro SD card slot. (See 3.4 Micro SD card Installation)

4.7.4. Press Power button to turn on the tool and then press UP button until the update screen pop up, select YES to upgrade the tool (fig.28).

4.7.5. When the software updates successfully, restart the tool again to complete update.



5. TROUBLESHOOTING

SYMPTOMS	POSSIBLE CAUSE	SOLUTION
Display is on, but does not show image	Cable connection is loose	Check and reattach
	Imager head lens is dirty	Check and clean as necessary
LED on imager head is dim at max brightness, display changes between monochrome and color, display turns itself OFF after a short period	Low battery	Replace battery
The tool will not turn on	Dead battery	Replace battery

Environmental Protection.



Recycle unwanted materials instead of disposing of them as waste. All tools, accessories and packaging should be sorted, taken to a recycle centre and disposed of in a manner which is compatible with the environment.



When the product is no longer required, it must be disposed of in an environmentally protective way. Contact your local solid waste authority for recycling information.

Battery Removal.

Open the rear cover as in 3.1.
Remove the batteries.
Replace the cover.



Dispose of batteries according to local authority guidelines.

Under the Waste Batteries and Accumulators Regulations 2009, Jack Sealey Ltd are required to inform potential purchasers of products containing batteries (as defined within these regulations), that they are registered with Valpak's registered compliance scheme. Jack Sealey Ltd's Batteries Producer Registration Number (BPRN) is BPRN00705

Parts support is available for this product. To obtain a parts listing and/or diagram, please log on to www.sealey.co.uk, email sales@sealey.co.uk or phone 01284 757500.



EC DECLARATION OF CONFORMITY

We the sole importers into the UK, hereby declare that the equipment described below

Description and Function: **ProScope 1 Digital Borescope Ø8.5mm**

Model/Type: **VS8220**

Manufacturing Date / Serial number (optional):

Manufacturer's authorised representative within the EC: **Jack Sealey Ltd. Kempson Way, Suffolk Business Park, Bury St. Edmunds, Suffolk, IP32 7AR**

Conforms to the requirements of the following Directives, as indicated.

- 2006/42/EC Machinery Directive
- 2000/14/EC Outdoor Noise Emissions Directive
- 2006/95/EC Low Voltage Directive
- 2002/96/EC WEEE Directive
- 2004/108/EC EMC Directive
- 2002/95/EC RoHS Directive
- 93/68/EEC CE Marking Directive
- 97/23/EC Pressure Equipment Directive
- 2009/105/EC the Simple Pressure Vessels Directive

And the following harmonised standard(s)

BS EN 55022: 2006 + A1: 2007 **BS EN 61000 part: 4-2: 2009**

BS EN 55024: 1998 + A1: 2003 **BS EN 61000 part 4-3: 206 + A1: 2008**

.....
.....

Additional technical standards and specifications (if applicable):

.....

Technical file compiled by: **Jack Sealey Ltd.**

Signed:

Date: **05-Jul-2012**

Place: **Bury St. Edmunds.**

Name: **Tim Thompson**

Position: **Commercial Director**



Being the responsible person appointed by the manufacturer.

Sealey Power Products, Kempson Way,
Suffolk Business Park, Bury St. Edmunds,
Suffolk, IP32 7AR

01284 757500

01284 703534

sales@sealey.co.uk

www.sealey.co.uk