



SA

SUPALIGN

**Lifting and Wheel Care
Specialists in One Place**



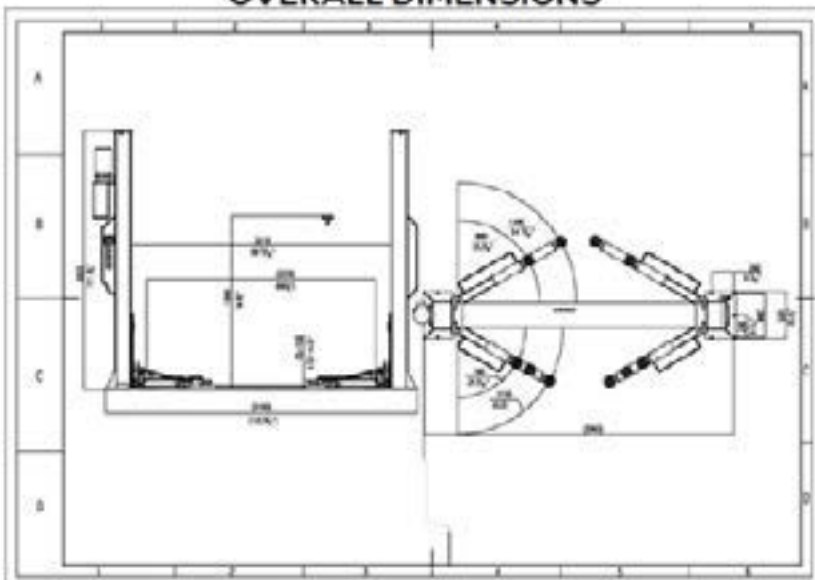
Electro-Hydraulic Narrow 2 Post Baseplate Lift

SA62BNR35T

Key Features

- Baseplate model ideal for low ceiling workshops
- Lifting Height: 1900mm
- Lifting Capacity: 3500KG
- Minimum Pad Height: 95mm
- Four 3 Stage Arms
- Door Protection on posts
- APS (Accurate Parking System) enables lifting vehicle at exact height
- Used for chassis maintenance and transmission work

OVERALL DIMENSIONS





2 Post Hydraulic Lift 4000kg Baseplate

BVL4000B (Three Phase)
BVL4000B1PH (Single Phase)

Key Features

- Electric Hydraulic 2 post ramp
- Electrical lock release
- Baseplate model
- Lifting Capacity: 4000kg
- Four 3 Stage Arms
- Adjustable lifting pads
- Comes with car door protectors as standard
- Includes 70mm lift extensions as standard
- Power: Three Phase & Single Phase available



Height limit switch



Car door protection



Arm pad



Dual hydraulic cylinders



Safety valve for anti-explosion of hydraulic system



Synchronization cables



Automatic all-steel arm-locking device



Foot Protection Device



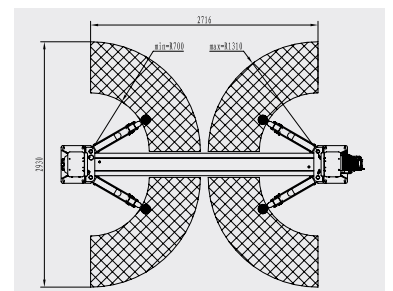
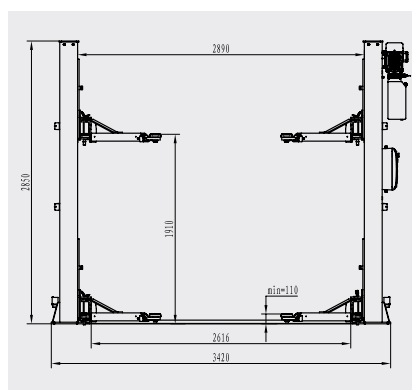
Chain protector



Easy access grease nipple design



Dust protection





2 Post Hydraulic Lift 4000kg H-Frame

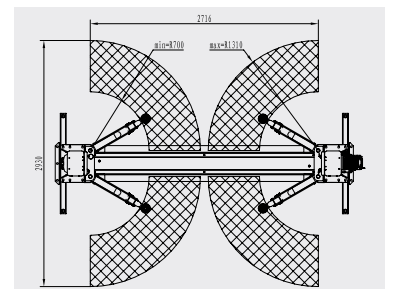
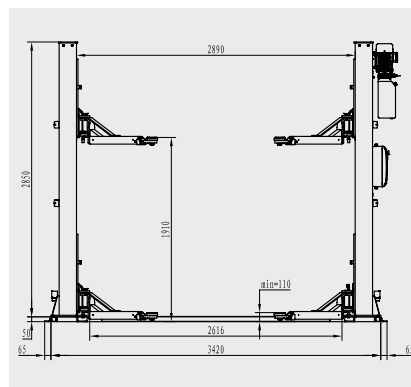
BVL4000H (Three Phase)
BVL4000H1PH (Single Phase)

Key Features

- Electric Hydraulic 2 post ramp
- Electrical lock release
- H-Frame model for poor garage floors
- Four 3 Stage Arms
- Lifting Capacity: 4000kg
- Adjustable lifting pads
- Comes with car door protectors as standard
- Includes 70mm lift extensions as standard
- Power: Three Phase & Single Phase available

Safety Features:

1. Dual hydraulic cylinders
2. Safety valve for anti-explosion of hydraulic system
3. Synchronisation cables
4. Chain protector
5. Easy access grease nipple design
6. Dust protection
7. Fitted with H-Frame for installations with uneven or poor floors





2 Post Hydraulic Lift 4000Kg Clear Floor

BVL4000CF (Three Phase)
BVL4000CF1PH (Single Phase)

Key Features

- Electric Hydraulic 2 post ramp
- Electrical lock release
- Clear Floor model for clear access
- Four 3 Stage Arms
- Lifting Capacity: 4000kg
- Adjustable lifting pads
- Comes with car door protectors as standard
- Includes 70mm lift extensions as standard
- Power: Three Phase & Single Phase available



Top beam design



Height limit switch



Car door protection



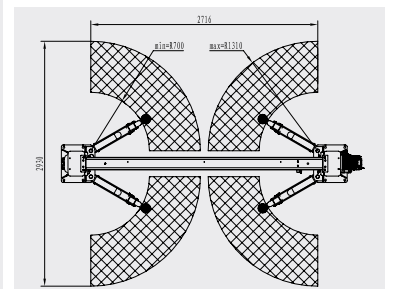
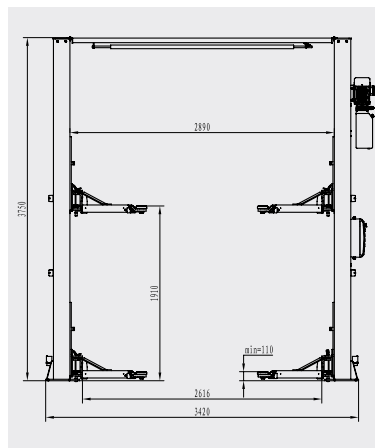
Dual hydraulic cylinders



Safety valve for anti-explosion of hydraulic system



Synchronization cables



Arm pad



Automatic all-steel arm-locking device



Foot Protection Device



Chain protector



Easy access grease nipple design



Dust protection



2 Post Hydraulic Lift 5000KG Baseplate

BVL5000B

Key Features

- Electric Lock Release
- Four 3 stage arms
- Lifting Capacity: 5000kg
- Adjustable lifting pads
- Includes with car door protectors
- Power: 380 Volt | 50/60HZ | 3 Phase
- Colour: GREY RAL 7016



Height limit switch



Car door protection



Arm pad



Automatic all-steel arm-locking device



Foot Protection Device



Dual hydraulic cylinders



Safety valve



Synchronization cables



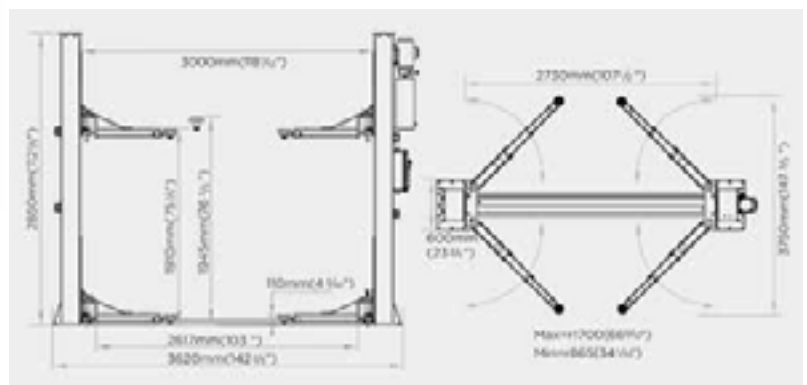
Chain protector



Easy access grease nipple design



Dust protection





Supalift Range by Forward (Ravaglioli) Hydraulic 5.5 Tonne 2 post lift

FORPL55

Electro-Hydraulic 2 post lift without base, for works trucks, vans and small buses.

Standard 2-stage front and rear arms that extend and retract from 61" to 38".

Three height configurations with adjustable options for taller vehicles and a wider stance makes it easier to service wider truck bodies.

Lift comes standard with:

- Large threaded truck adaptors: 250mm
- 4 x adaptor extensions: 130mm
- Support Brackets for Spacers

Technical Data:

- Lifting Capacity: 5500kg
- Overall Height: 5035mm
- Inside Columns: 3038mm
- Drive-Thru Width: 2752mm
- Min. front arm length: 762mm
- Max. front arm length: 1550mm
- Min. rear arm length: 762mm
- Max. rear arm length: 1550mm
- Min. pad height: 140mm
- Max. pad height: 360mm
- Lifting time: 54s
- Power supply: 400V | 50-60 Hz | 3 Phase



2 Post Hydraulic Lift 6000KG Clear Floor

BVL6000CF

Key Features

- Electric Hydraulic 2 post ramp
- Electrical lock release
- Clear Floor model for clear access
- Lifting Capacity: 6000kg
- Four 3 stage arms for extra long vehicles
- Adjustable lifting pads
- Comes with car door protectors as standard
- Cut off bar included to prevent top of vehicle hitting beam



Top beam design



Height limit switch



Car door protection



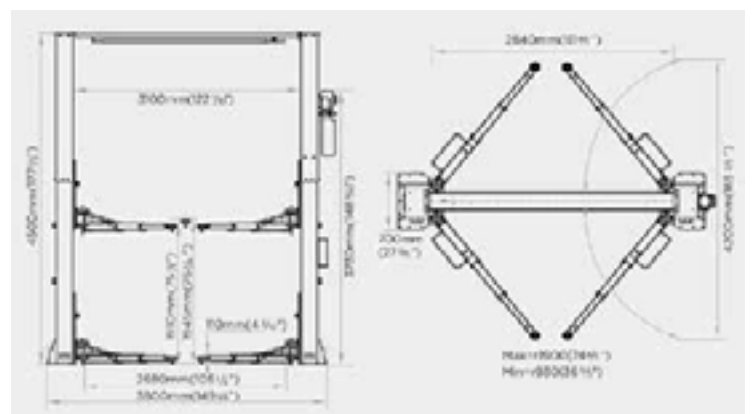
Arm lock engaged automatically when lifting



Foot Protection Device



Dual hydraulic cylinders



Safety valve for anti-explosion of hydraulic system



Synchronization cables



Chain protector



Easy access grease nipple design



Dust protection



Supalift Range by Forward (Ravaglioli) Hydraulic 6.5 Tonne 2 post lift

FORPL65

Technical Data:

- Lifting Capacity: 6500kg
- Overall Height: 5035mm
- Inside Columns: 3038mm
- Drive-Thru Width: 2752mm
- Min. front arm length: 762mm
- Max. front arm length: 1550mm
- Min. rear arm length: 762mm
- Max. rear arm length: 1550mm
- Min. pad height: 140mm
- Max. pad height: 360mm
- Lifting time: 54s
- Power supply: 400V | 50-60 Hz | 3 Phase

Electro-Hydraulic 2 post lift without base, for works trucks, vans and small buses.

Standard 2-stage front and rear arms that extend and retract from 61" to 38".

Three height configurations with adjustable options for taller vehicles and a wider stance makes it easier to service wider truck bodies.

Lift comes standard with:

- Large threaded truck adaptors: 250mm
- 4 x adaptor extensions: 130mm
- Support Brackets for Spacers



4 Post Lift 5000kg

BVL50004P



Big Pulley for steel rope



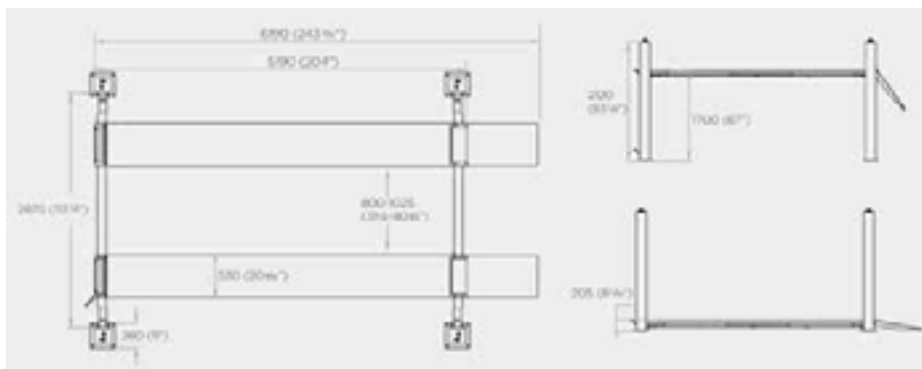
Safety valve for anti-explosion of hydraulic system

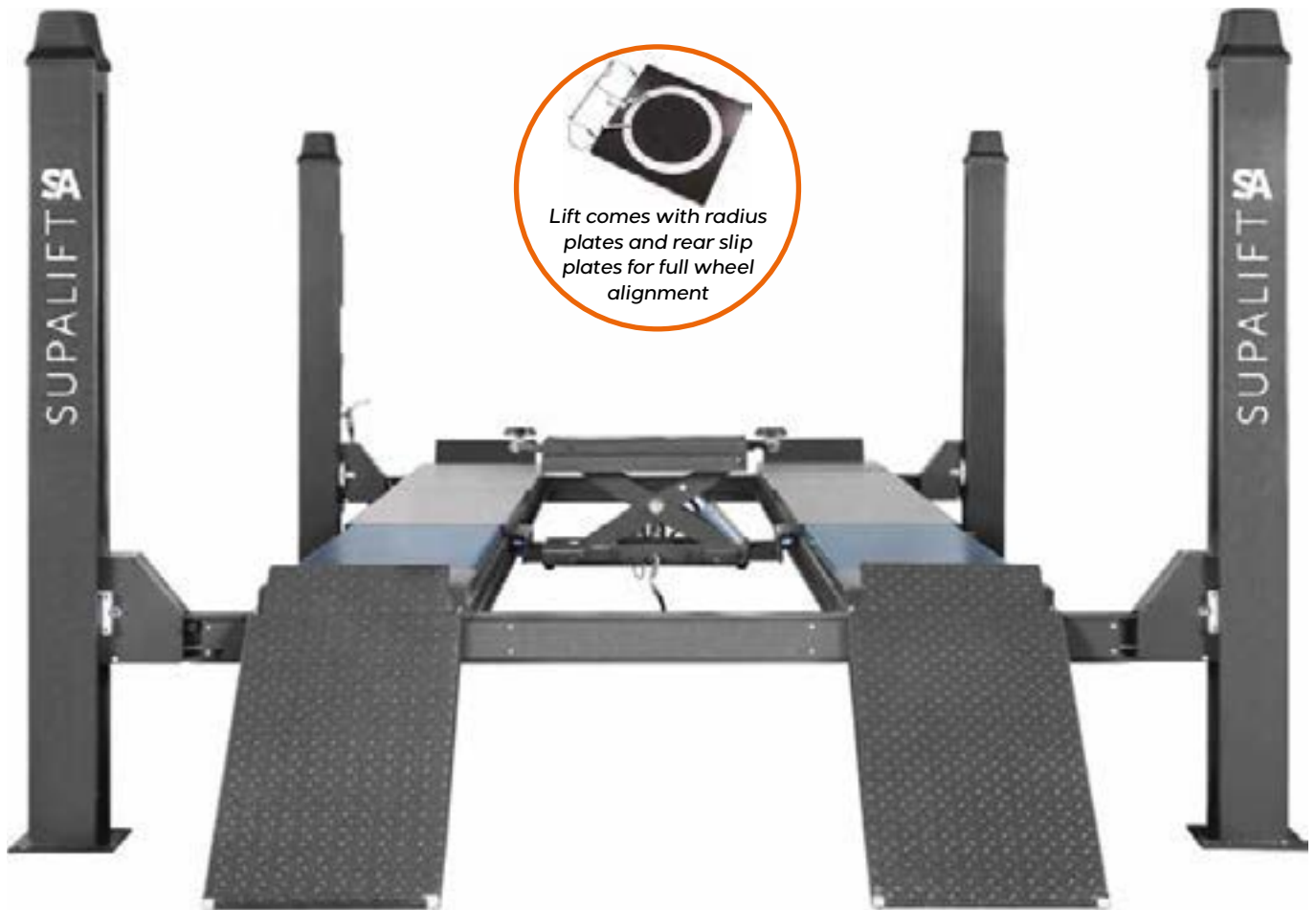


Equipped with main insurance and rope break insurance on each column

Key Features

- Electric Hydraulic 4 post ramp
- Electrical lock release
- Lifting Capacity: 5000kg
- Platform Length: 5190mm
- Suitable for surface or recessed installation
- Power: Three Phase





Lift comes with radius plates and rear slip plates for full wheel alignment

4 Post Wheel Alignment Lift 5000kg

BVL50004PWA



Big Pulley for steel rope



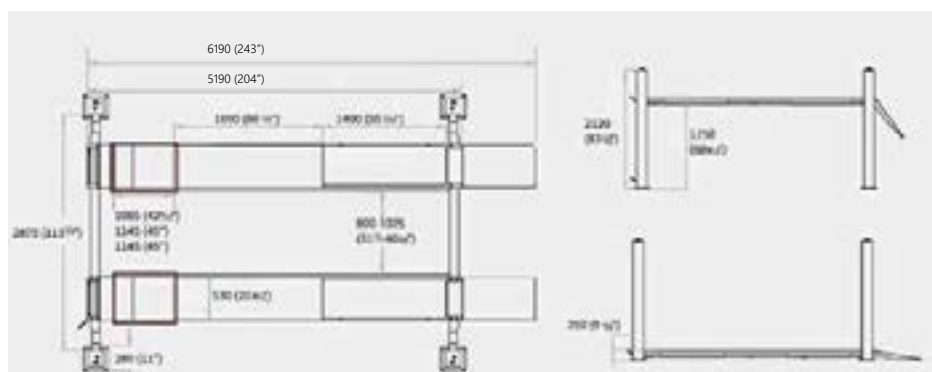
Safety valve for anti-explosion of hydraulic system



Equipped with main insurance and rope break insurance on each column

Key Features

- Electric Hydraulic 4 post ramp
- Electrical lock release
- Lifting Capacity: 5000kg
- Front radius and rear slip plates for wheel alignment applications
- Platform Length: 5190mm
- Suitable for surface or recessed installation
- Power: Three Phase

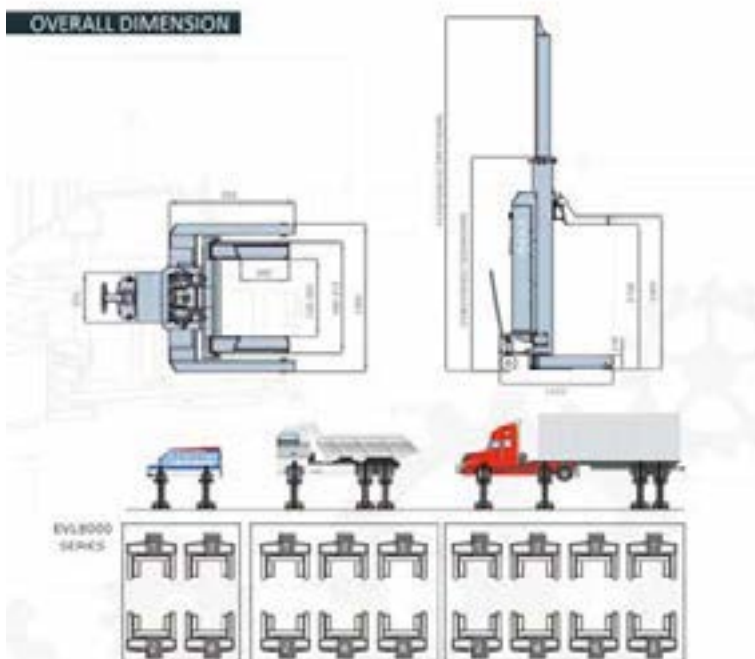




Set of 4 Mobile Columns (8000KG Per Column)

BVL8000MC4

OVERALL DIMENSION



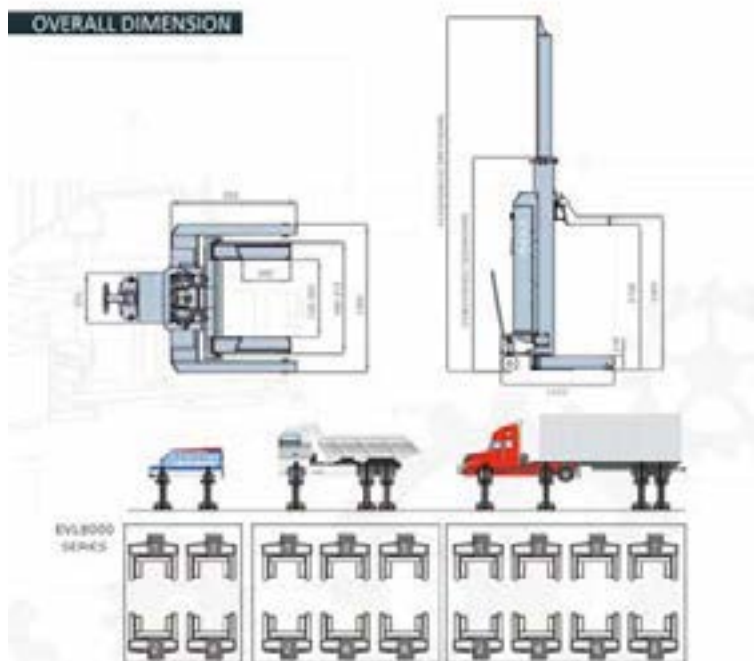
Key Features

- Capacity Per Column: 8000kg
- Locking release: Electric
- Max lifting height: 1800mm
- Min lifting height: 159mm
- Lifting time: 100s
- Motor power: 2.2kw
- Tyre size: 600 - 1250mm



Set of 6 Mobile Columns (8000KG Per Column)

BVL8000MC6



Key Features

- Capacity Per Column: 8000kg
- Locking release: Electric
- Max lifting height: 1800mm
- Min lifting height: 159mm
- Lifting time: 100s
- Motor power: 2.2kw
- Tyre size: 600 - 1250mm

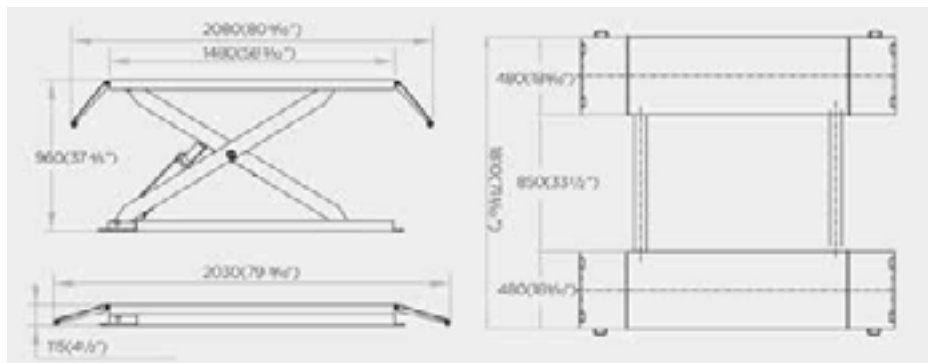


Mid-Rise Scissor Lift 300kg

BVL3000M

Key Features

- Electric Hydraulic lifting
- Electrical lock release
- Lifting Capacity: 3000kg
- Power: Single phase



Electrical locks engaged automatically when lowering



Synchronized hydraulic cylinders system



Safety descending stop & alarm



Safety valve for anti-explosion of hydraulic system



Height limit switch



Rubber pads



Mobile Mid-Rise Scissor Lift 3000kg

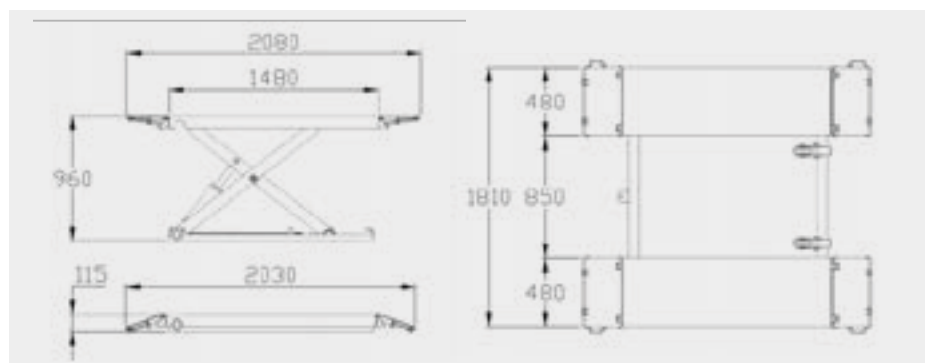
BVL3000M2

Mobile Kit BVL3000M2/MKIT



Key Features

- Electric Hydraulic lifting
- Electrical lock release
- Lifting Capacity: 3000kg
- Power: Single phase



Electrical locks engaged automatically when lowering



Synchronized hydraulic cylinders system



Safety descending stop & alarm



Safety valve for anti-explosion of hydraulic system



Height limit switch

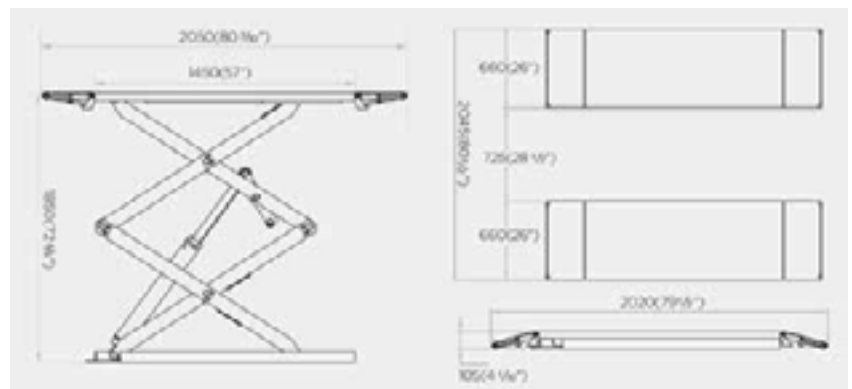


Rubber pads



Short Platform Scissor Lift 3000kg

BVL3000SSL



Key Features

- Lifting Capacity: 3000kg
- Platform length: 1450mm - 2050mm
- Lifting height: 1850mm
- Minimum height: 105mm
- Power: Single phase



Precision machined safety lock



Synchronized hydraulic cylinders system



Safety descending stop & alarm



Safety valve for anti-explosion of hydraulic system



24" Automatic Tyre Changer Economy

BWCTC0002

Key Features

- Fully automatic tyre changer
- Comes with assistor arm for help with run flat tyres
- Tilt back design automatically positions the mounting head on rim
- Nylon tool heads to prevent scratching alloys
- Durable Bead breaker
- Includes 18" Tyre Lever
- Set of 4 clamping jaw covers to protect alloys



Optional Extras

- Motorcycle mounting head for tyre changer
- Motorcycle adaptors for tyre changer



24" Fully Automatic Leverless Tyre Changer

BWCTC0004

Key Features

- Fully automatic tyre changer
- Comes with assistor arm for help with run flat tyres
- No Rear tilting head for space saving
- Nylon tool heads to prevent scratching alloys
- Durable Bead breaker
- Set of 4 clamping jaw covers to protect alloys



12-23"
External clamping



14-26"
Internal clamping



≤1143mm (45")
Max wheel diameter



≤406mm (16")
Max wheel width

Optional Extras

- Motorcycle mounting head for tyre changer
- Motorcycle adaptors for tyre changer
- Leverless Tool head



Supalign 24" Tyre Changer with Assistor Arm

G7641D.24 with PLUS73

Key Features

- Reinforced Frame
- External Clamping: 11" > 24"
- Internal Clamping: 13" > 26"
- Includes PLUS73 Assistor Arm
- Working Air Pressure: 8 - 10 Bar
- Comes with lever bar and plastic protection for jaws and bead breaker



Optional Accessories

- Plastic bead pressing clamp
- Demount head quick change tool
- Plastic demount head assembly (for tilt back model use)
- Motorcycle demount head
- Motorcycle adaptor (hand roller style), for inner adjustable jaws system use
- Wheel rotation support WRSB
- Lever and shoe plastic protection kit
- Plastic protection kit



Supalign by Teco Fully Automatic Tyre Changer with Tilt Back Arm

SA3500 with SA/HTB21

Key Features

- Clamping capacity: 10"-21"
- External clamping capacity: 10"-21"
- Internal clamping capacity: 12"-23"
- Max wheel diameter: 1.040 mm
- Max wheel width: 3"-12"
- Bead breaker force: 1,500 N
- Turntable speed: 8 rpm (8-15 rpm 2sp)/ Single Speed
- Noise level: < 70 ± 3 dB(A)
- Working pressure: 8-10 Bar (116-145 psi)
- Power: Single Phase | 0,75 kW



An entry level tyre machine for working on car and light commercial vehicles.

Suitable for working on wheel diameters from 10" to 23" without any adaptors or mechanical adjustment. This is an Automatic tyre changer with a tilt back type rear support column with some technical solutions.

The Supalign by Teco Tyre Changer is supplied as standard with protective (nylon 6-6) parts. These cover the elements that could cause damage to the rim and comprises of the following:

- Jaw clamp covers.
- Bead breaker blade cover.
- Upper and Lower de-mount head inserts.
- Standard tyre Lever protective sleeve.
- All of the protective elements listed above as well as additional protective fitting tools, are available.





Supalign by Teco Outside Clamping 24" Tyre Changer

SA4000VS with SA/HTB24

Key Features

- Reinforced Frame
- External Clamping: 11" > 24"
- Internal Clamping: 13" > 26"
- With SA/HTB24 Assistor Arm
- Working Air Pressure: 8-10 Bar
- Comes with lever bar and plastic protection for jaws and bead breaker



Our Plus automatic tyre range for cars, lightweight transport vehicles.
Variable speed version.

Optional Accessories

- Plastic bead pressing clamp
- Demount head quick change tool
- Plastic demount head assy (for tilt back model use)
- Motorcycle demount head
- Motorcycle adaptor (hand roller style), for inner adjustable jaws system use
- Wheel rotation support WRSB
- Lever and shoe plastic protection kit
- Plastic protection kit





Supalign by Teco Outside Clamping Leverless 24" Tyre Changer

SA4000LVS with SA/HTB24

Key Features

- Leverless Demount Tool
- Reinforced Frame
- External Clamping: 11" > 24"
- Internal Clamping: 13" > 26"
- With SA/HTB24 Assistor Arm
- Working Air Pressure: 8-10 Bar
- Comes with lever bar and plastic protection for jaws and bead breaker



Our Plus automatic tyre with leverless function range for cars, lightweight transport vehicles. Variable speed version.

Optional Accessories

- Plastic bead pressing clamp
- Demount head quick change tool
- Plastic demount head assy (for tilt back model use)
- Motorcycle demount head
- Motorcycle adaptor (hand roller style), for inner adjustable jaws system use
- Wheel rotation support WRSB
- Lever and shoe plastic protection kit
- Plastic protection kit





Hand Spin Wheel Balancer 12 Volt

BWCWB0019

Key Features

- Suitable for mobile tyre repair vans
- Power: 12V
- Rim Diameter Range: 10" - 24"
- Balancing Modes : 4
- LED light and digital display
- Self-calibration & self-diagnosis functions
- Includes set of 4 wheel balancing cones
- Quick release locking wheel nut
- Tyre width Caliper
- Weight pliers
- Calibration Weight: 100g

Other features include brake pedal for accurate positioning of the wheel weights. A battery fitted for use on mobile repair vehicles. As this model has no hood - it makes it ideal for use in smaller workshops or vans where space is at a premium.



12 Volt battery included for mobile service usage. Battery when charged lasts approximately one week.



Supalign Motorised Wheel Balancer

BWCWB0001

Key Features

- Rim Diameter Range: 10" - 24"
- 5 Balancing Modes
- LED light and digital display
- Self-calibration and self-diagnosis functions
- Measuring tool with manual input of data
- Stick on weight mode for high class wheels





Computerised Wheel Balancer

BWCWB0003

Key Features

- Rim Diameter Range: 10" - 24"
- Automatic main shaft lock to retain wheel in the correct position
- Laser version to show accurate placement of weights
- Balancing Modes: 9
- 17" LCD screen
- Self-calibration & self-diagnosis functions
- Automatic distance and wheel diameter measuring for faster data input
- Automatic main shaft lock to retain wheel in the correct position
- Stick on weight mode for high class wheels



9 Balancing modes



Split and hidden weight solution



Opt function



Maximum wheel weight



Rim width
Rim diameter



Supalign by Teco Automatic Wheel Balancer

SA6600A

Key Features

- Power supply: 115/230V | Single Phase | 50/60Hz
- Total power absorption: 250W
- Spinning speed: 150 rpm
- Rim width setting range: 1,5" ÷ 20"
- Rim diameter setting range: 1" ÷ 35"
- Max wheel width (with guard): 22,8"
- Max wheel diameter (with guard): 1118 mm (44")
- Machine weight: 127 kg (280 lbs)



This Supalign by Teco Digital Wheel Balancer is our entry level wheel balancer. Designed for use in low to medium volume garages and workshops. The 6600 covers all aspects of wheel balancing and wheel sizes encountered in most small independent workshops today.

Machine is started by lowering the wheel guard.
Available without the wheel guard for saving space.

Comes as standard with:

- 4 cone kit
- quick release nut
- pliers
- wheel gauge calliper



Computerised Wheel Alignment System 6CCD

RAV.TD176.700643



Key Features

- Bluetooth Control – Operate the system wirelessly for maximum mobility around the workshop
- Flexible Setup – No dedicated bay required, allowing use across multiple lifts
- Clear Customer Reporting – Simple, easy-to-understand printouts with visual graphics
- ADAS Compatible – Future-ready design to support modern vehicle technologies
- 2-Post Lift Compatible – Enables computerised alignment in smaller garage environments
- 3-Point Clamps – Eliminates the need for time-consuming run-out compensation
- Complete Accessory Kit – Supplied with radius plates, brake pedal depressor, and steering wheel lock as standard



The spoiler programme is automatically activated to perform the measurements on sport and tuned car bodies for a simplified procedure



Display programme in Windows with more than 90,000 vehicle data sheets



Clear and precise display of the adjustment points in 3D graphics



Includes 3 point clamps and radius plates

Alignment on a 2 post lift now available!

Optional 2 post lift adaptors



ADAS Compatible

Wheel Alignment System 3D

RAVTD3200SP.3



Key Features

- 3D Alignment Technology – Fast, mobile setup with automatic lift level compensation
- Wide Lift Compatibility – Suitable for use on any 4-post or scissor lift
- Flexible Workshop Use – No dedicated bay required, allowing use across multiple lifts
- Clear Customer Reporting – Simple, graphic-led printouts for easy understanding
- MOT Lift Compatible – Works with play detector lifts, with no run-out required
- ADAS Ready – Future-proofed to support modern vehicle systems
- 3-Point Clamps – Secure fitment designed to avoid marking alloy wheels
- No Front Clearance Needed – Operates efficiently without minimum space in front of the lift
- Complete Accessory Kit – Supplied with radius plates, brake pedal depressor, and steering wheel lock



ADAS Compatible



Includes 3 point clamps and radius plates



True 3D targets



Automatic lift levelling compensation

Tablet Controlled Wheel Aligner

RAVTD2.0WIFI

Key Features

- Wall-Mounted Design – Space-saving solution with convenient tablet operation
- Bluetooth Control – Wireless operation for maximum mobility around the workshop
- Flexible Setup – No dedicated bay required, allowing use across multiple lifts
- Wide Lift Compatibility – Suitable for use on both 2-post and 4-post lifts
- Digital Reporting – Send results directly to an external printer or email to customers
- Clear Customer Output – Simple, graphic-led printouts for easy understanding
- 3-Point Clamps – Eliminates the need for time-consuming run-out compensation



Optional Extras

- 2 x black wall panels (as seen in picture)
- 2 post drop down links for alignment on 2 post lifts
- Wheel alignment tables



Wall mounted version

**Alignment
on a 2 post
lift now
available!**

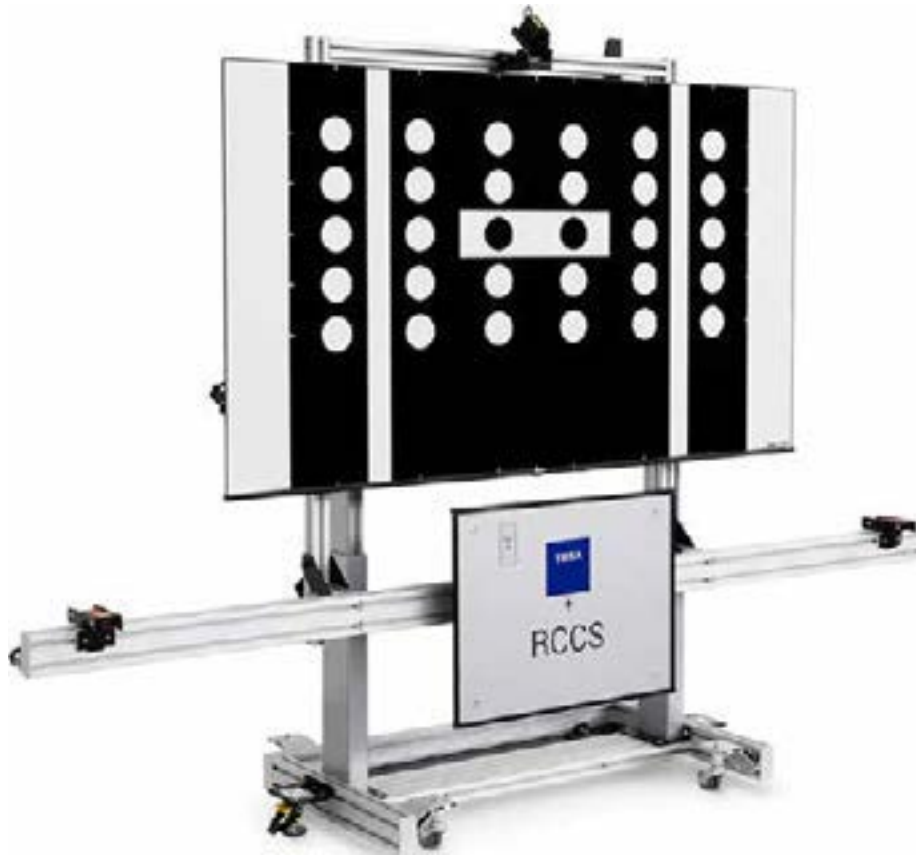
*Optional
2 post lift
adaptors*



ADAS Compatible

Texa ADAS Digital Standalone system

SRCCS3EVO



Key Features

- AXONE Voice Tablet – Advanced diagnostic tablet for fast, intuitive operation
- AXONE Voice Handle – Ergonomic design for improved usability and control
- IDC5 Premium Car Software – Comprehensive diagnostics for a wide range of vehicles
- IDC5 SuperCar Software – Specialist coverage for high-performance and supercar models
- TXT MULTIHUB VCI – Versatile vehicle communication interface for reliable connectivity
- 36 Months Software Updates – Ongoing access to the latest vehicle data and features
- 36 Months Technical Support – Dedicated Tex@info support for expert assistance
- 3-Year Warranty – Peace of mind with full manufacturer-backed coverage
- RCCS 3 EVO BT Digital Monitor – High-precision digital targeting system
- Self-Centring Wheel Clamps (13"–24") – Secure fitment across a wide range of tyre sizes





SA

SUPALIGN

sales@jhmbuttco.com 01302 710868

A brand of

JHM
BUTT

Established 1971