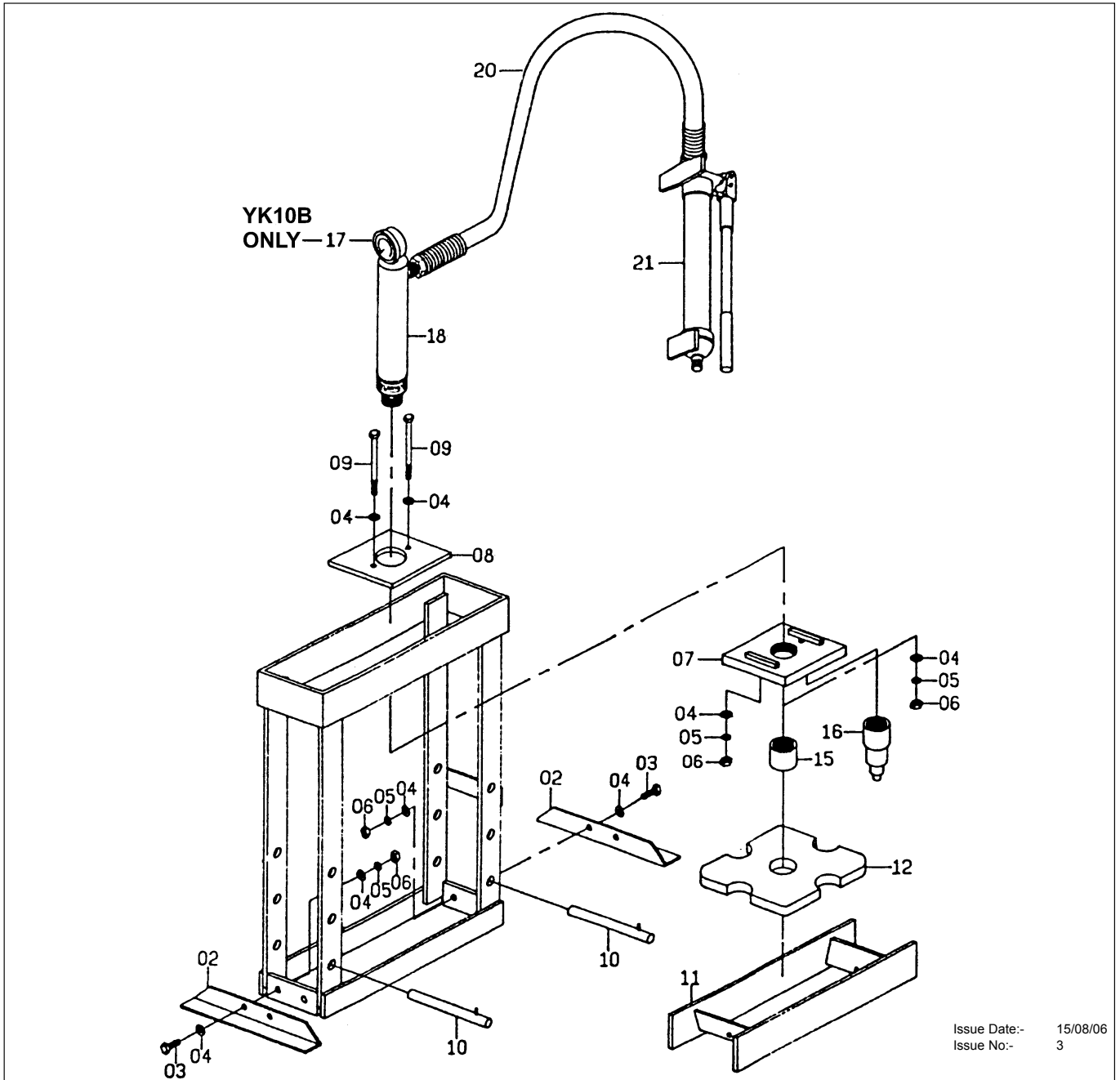


YK10B (WITH GAUGE)

YK10BLG (WITHOUT GAUGE)

YK10BMP (NO HYDRAULICS)



Issue Date:- 15/08/06
Issue No:- 3

ITEM	PART NO	DESCRIPTION
02	YK10BLG/02	FOOT
03	YK10BLG/03	BOLT, M12 X 25mm
04	YK10BLG/04	WASHER, FLAT
05	YK10BLG/05	WASHER, SPRING
06	YK10BLG/06	NUT, 3/8"
07	YK10BLG/07	PLATE, RAM SUPPORT (lower)
08	YK10BLG/08	PLATE, RAM SUPPORT (upper)
09	YK10BLG/09	BOLT 3/8" X 5-1/2"
10	YK10BLG/10	PIN, TABLE SUPPORT
11	YK10BLG/11	TABLE

ITEM	PART NO	DESCRIPTION
12	YK10BLG/12	PLATE, ARBOR
15	YK10BLG/15	ADAPTOR, STRAIGHT
16	YK10BLG/16	ADAPTOR, STEPPED
17	YK10B/G	10T GAUGE
18	YK10B/RC	10T RAM W/O GAUGE
18	610/41	RAM (YK10BLG ONLY)
20	610/42	HOSE C/W HALF COUPLING
21	610/40	PUMP COMPLETE without HOSE
	YK10BLG/FK	FIXING KIT (both models / not shown)
	YK10B/RK	REPAIR KIT (both models / not shown)