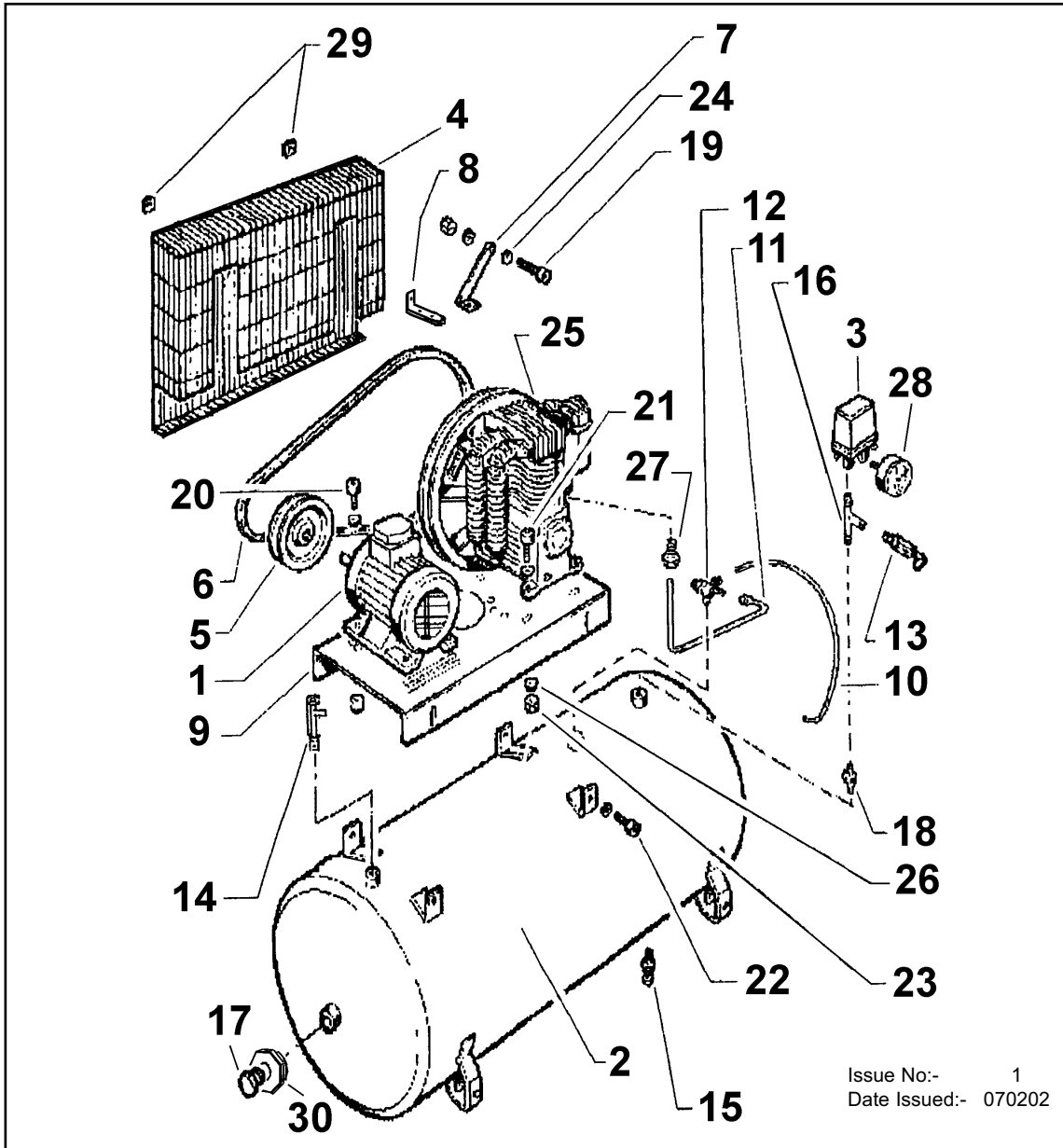




PARTS LIST FOR:

BELT DRIVEN COMPRESSORS

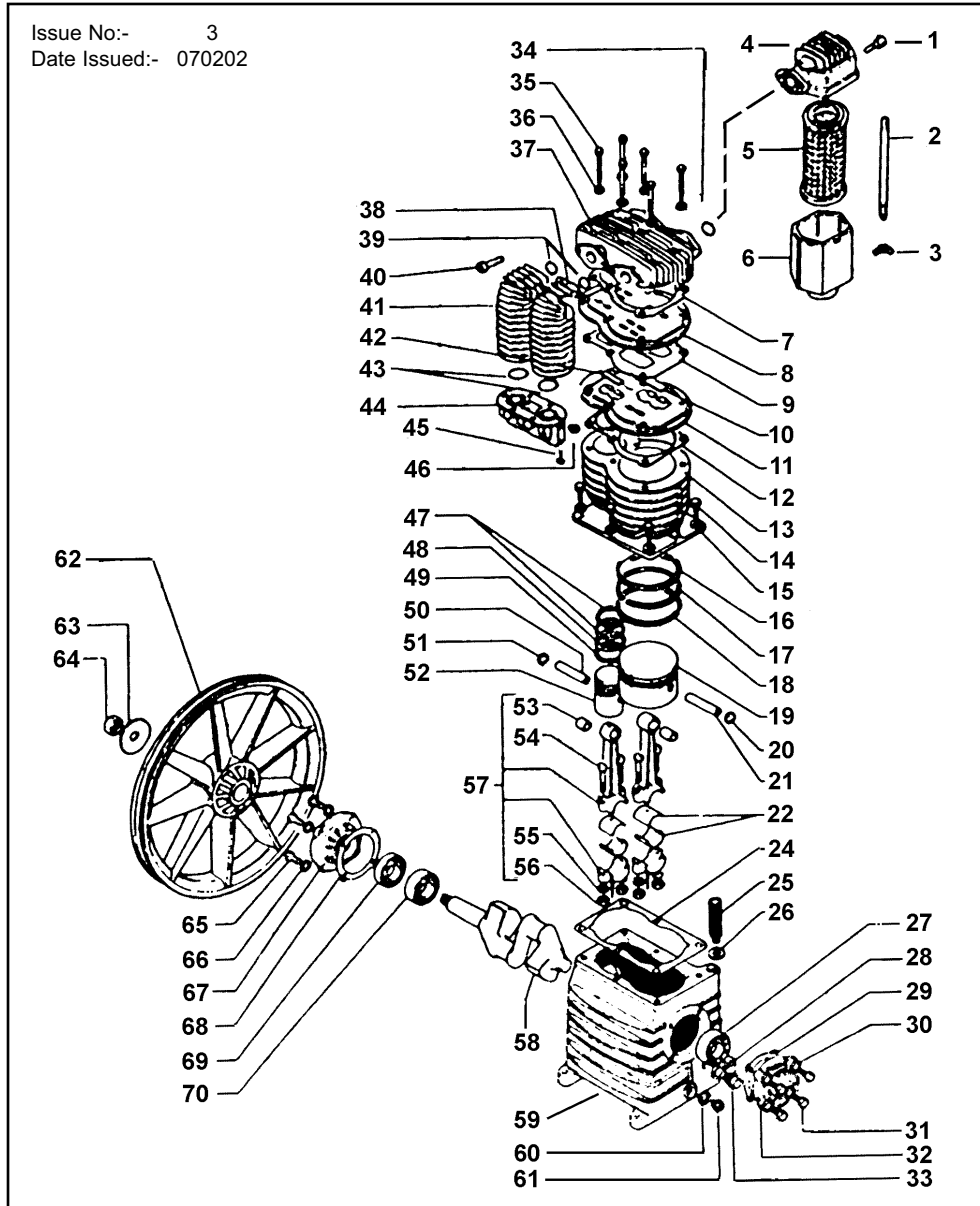
Models: **SA3015/55, SA3020/55 & SA3027/75**



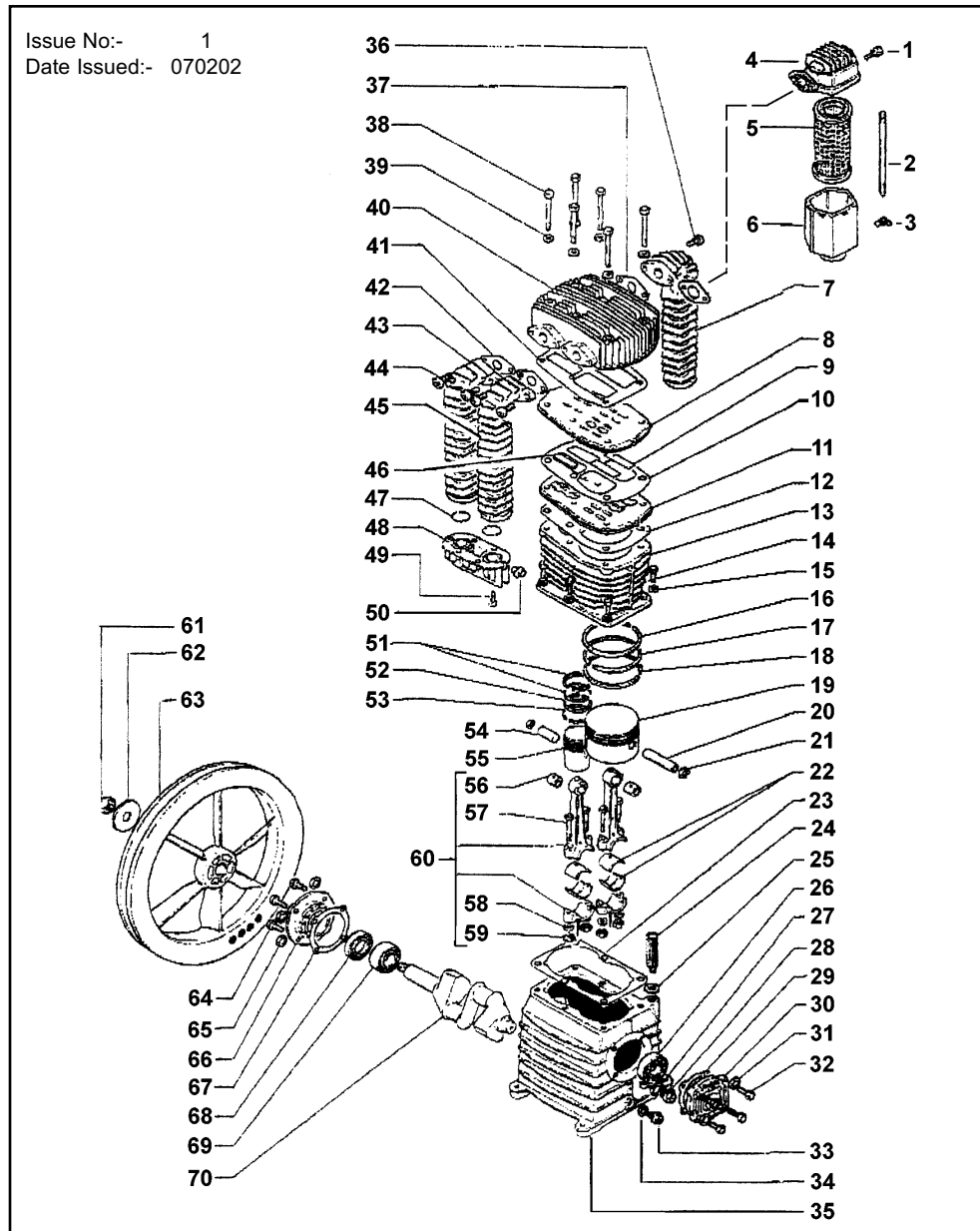
Issue No:- 1
Date Issued:- 070202

ITEM	PART NO.	DESCRIPTION	ITEM	PART NO.	DESCRIPTION
1	SH10700240	3-Phase Motor (SA3015/55 & SA3020/55)	13	SH14400330	Safety Valve (SA3015/55 & SA3020/55)
1	SH10700270	3-Phase Motor (SA3027/75)	13	SH14400870	Safety Valve (SA3027/75)
2	SH11902990	Tank, 150l (SA3015/55)	14	SH15300260	Outlet Tap, 1/2" BSP
2	SH11903000	Tank, 200l (SA3020/55)	15	SH15300320	Drain Valve, Condensate
2	SH11903110	Tank, 270l (SA3027/75)	16	SH16901440	Union
3	SH12800160	Switch (SA3015/55 & SA3020/55)	17	SH16901890	Plug, 1/2" BSP
3	SH12800180	Switch (SA3027/75)	18	SH16901980	Union Reducer, 3/8-1/4"
4	SH1340007A	Belt Guard (SA3015/55 & SA3020/55)	19	SH17300230	Bolt
4	SH13400180	Belt Guard (SA3027/75)	20	SH17300250	Bolt, M8x30
5	SH13500850	Pulley (SA3015/55 & SA3020/55)	21	SH17300270	Bolt, M8x40 (SA3015/55 & SA3020/55)
5	SH13501060	Pulley (SA3027/75)	21	SH17300350	Bolt, M10x40 (SA3027/75)
6	SH13900430	Belt (SA3015/55 & SA3020/55)	22	SH17300300	Bolt, M10x15
6	SH13900540	Belt (SA3027/75)	23	SH17400080	Nut
7	SH14200390	Belt Guard Bracket (SA3015/55 & SA3020/55)	24	SH17500100	Washer, 10.5 x 21 UNI5739
7	SH14201450	Belt Guard Bracket (SA3027/75)	25	SHK2509680	Compressor (SA3015/55 & SA3020/55)
8	SH14200460	Bracket - Pulley Cover	25	SHK3010260	Compressor (SA3027/75)
9	SH1420050A	Base Plate (SA3015/55 & SA3020/55)	26	SH17500160	Washer, 8x24
9	SH14202110	Base Plate (SA3027/75)	27	SH16901740	Fitting (SA3015/55 & SA3020/55)
10	SH14300980	Air Pipe Plastic (Length)	27	SH16902130	Fitting (SA3027/75)
11	SH14302330	Supply Tube (SA3015/55 & SA3020/55)	28	SH15000060	Pressure Gauge
11	SH14303010	Supply Tube (SA3027/75)	29	SH17500100	Washer (SA3015/55 & SA3020/55)
12	SH14400260	Non-return Valve (SA3015/55 & SA3020/55)	29	SH13400050	Guard Plate (SA3027/75)
12	SH14400290	Non-return Valve (SA3027/75)	30	SH16901820	Reducer, 2-1/2" (SA3027/75)

JHM Butt & Co Ltd
Tel: 01302 710868
www.jhmbuttco.com



ITEM	PART NO.	DESCRIPTION	ITEM	PART NO.	DESCRIPTION	ITEM	PART NO.	DESCRIPTION
1	SH37302430	Screw	25	SH3650020A	Oil Filler/Breather	48	SH31204710	Stepped Scraper Ring
2	SH37305190	Tension Rod	26	SH3050016A	Gasket, Oil Filler	49	SH31204720	Slotted Oil Scraper Ring
3	SH37400450	Fly Nut, Filter	27	SH30300030	Bearing	50	SH31204670	Piston Pin
4	SH35602950	Filter Cover	28	SH30500130	Oil Glass Washer	51	SH37602260	Circlip
5	SH35602940	Filter Cartridge	29	SH30500150	Gasket, Crank End Cap	52	SH31206180	Piston
6	SH35602930	Filter Casing	30	SH37500330	Washer	53	SH31102250	Bush
7	SH30504770	Gasket	31	SH37300070	Bolt	54	SH37300250	Bolt, Connecting Rod
8	SH32704750	Valve Plate	32	SH30400830	Support	55	SH37500310	Washer, Connecting Rod
9	SH30504780	Gasket	33	SH36500140	Oil View Glass	56	SH37400220	Nut, Connecting Rod
10	SH32703560	Valve	34	SH30502500	O-ring	57	SH3104840	Connecting Rod Assembly
11	SH32704750	Valve Plate	35	SH37301130	Screw	58	SH30204810	Crankshaft
12	SH30504740	Gasket	36	SH37500400	Washer, Cylinder Head	59	SH33104600	Crankcase
13	SH31604730	Cylinder	37	SH31304890	Cylinder Head	60	SH30500160	Gasket, Oil Drain
14	SH37301140	Bolt, Cylinder Base	38	SH32903720	Cooler	61	SH36500110	Oil Drain Bolt
15	SH37500670	Washer	39	SH30502500	O-ring	62	SH31002680	Flywheel
16	SH31203570	Compression Ring	40	SH37302530	Allen Bolt, Aftercooler	63	SH37500730	Washer, Pulley
17	SH31203580	Stepped Scraper Ring	41	SH32903710	Cooler	64	SH37400720	Nut, Pulley/Crankshaft
18	SH31203590	Slotted Oil Scraper Ring	42	SH32700350	Valve	65	SH37300070	Bolt
19	SH31203600	Piston	43	SH30502400	O-ring	66	SH37500330	Washer
20	SH37602260	Circlip	44	SH3690211A	Connector	67	SH30400860	Support
21	SH31203610	Piston Pin	45	SH37302480	Screw	68	SH30500050	Gasket
22	SH31100210	Shell Bearing, Big End	46	SH36506900	Reducer	69	SH30300040	Oil Seal
24	SH30504630	Gasket	47	SH31204700	Compression Ring	70	SH30300030	Bearing, Crank Main



ITEM	PART NO.	DESCRIPTION	ITEM	PART NO.	DESCRIPTION	ITEM	PART NO.	DESCRIPTION
1	SH37302430	Screw	25	SH3050016A	Gasket	49	SH37302480	Screw
2	SH37305190	Tension Rod	26	SH30302140	Bearing	50	SH36506800	Plug
3	SH37400450	Fly Nut, Filter	27	SH30500130	Gasket	51	SH31203390	Compression Ring AP
4	SH35602950	Filter Cover	28	SH36500140	Oil Sight Gauge	52	SH31202200	Stepped Oil Scraper Ring AP
5	SH35602940	Filter Cartridge	29	SH30502310	Gasket	53	SH31202210	Slotted Oil Scraper Ring AP
6	SH35602930	Filter Casing	30	SH30402740	Support	54	SH31202240	Piston Pin AP
7	SH32902730	Aftercooler	31	SH37500330	Washer	55	SH31203050	Piston AP, Ø52
8	SH32702750	Valve Plate	32	SH37300070	Gasket	56	SH31102250	Bush
9	SH32702400	Valve BP	33	SH36500110	Oil Plug	57	SH37302460	Screw
10	SH30502280	Gasket	34	SH30502310	Gasket	58	SH37500400	Washer
11	SH32702750	Valve Plate	35	SH33102030	Crankcase	59	SH37402590	Nut
12	SH30502290	Gasket	36	SH37302530	Screw	60	SH31101990	Complete Connecting Rod
13	SH31602020	Cylinder	37	SH30502330	Gasket	61	SH37403780	Nut
14	SH37302420	Screw	38	SH37308060	Screw	62	SH37502450	Washer
15	SH37504220	Washer	39	SH37502320	Washer	63	SH31002060	Flywheel, Ø385
16	SH31202160	Compression Ring BP	40	SH31302700	Cylinder Head	64	SH37300070	Screw
17	SH31202170	Stepped Oil Scraper Ring BP	41	SH30502270	Gasket	65	SH37500330	Washer
18	SH31202180	Slotted Oil Scraper Ring BP	42	SH30502330	Gasket	66	SH30402800	Support
19	SH31202190	Piston BP, Ø105	43	SH32902710	Cooler	67	SH30502310	Gasket
20	SH31202230	Piston Pin BP	44	SH37302530	Screw	68	SH30302150	Seal
21	SH37602260	Circlip	45	SH32902720	Cooler	69	SH30302140	Bearing
22	SH31102130	Bearing Shell	46	SH32702390	Valve AP	70	SH30202000	Crankshaft
23	SH30502300	Gasket	47	SH30502400	O-ring			
24	SH3650020A	Oil Filler/Breather	48	SH3690211A	Connector 1-2			